

BIMETAL THERMOMETERS WITH A QUALITY DIFFERENCE

★ The quality and craftsmanship which have identified PALMER products for over a hundred years, are carefully incorporated into Palmer Bimetal Thermometers. Features which make PALMER a DEGREE BETTER are described in the following paragraphs.

★ Palmer furnishes two types of Bimetal Thermometers, back connected and every angle—both now available with replaceable elements (see Catalog 73BE). These will take care of all application requirements. In combination with a variety of stem-lengths, PALMER BIMETALS meet almost any need and are available off-the-shelf for speedy delivery in standard ranges with stem lengths up to 24". We also build models to your specifications with stem lengths up to 72" long. Superb craftsmanship and the finest materials and components are common to all models and guarantee dependability, accuracy and maintenance-free service.

★ FAST RESPONSE and CONSISTENTLY ACCURATE TEMPERATURE INDICATION are obtained from a high-torque, low-mass bimetal sensing element incorporating latest advances in physical metallurgy and fabricating technique.

★ THE STRONG, LEAK-PROOF ENCLOSURE, including case, stem and connector is made of type 304 Stainless Steel with Heli-Arc welded joints.

★ EASY-TO-READ DIAL is of deep drawn metal of anti-parallax design. Low-glare background with dial graduations and pointer on the same level minimize reading errors. Pointer is equipped with built-in friction type adjustment feature.

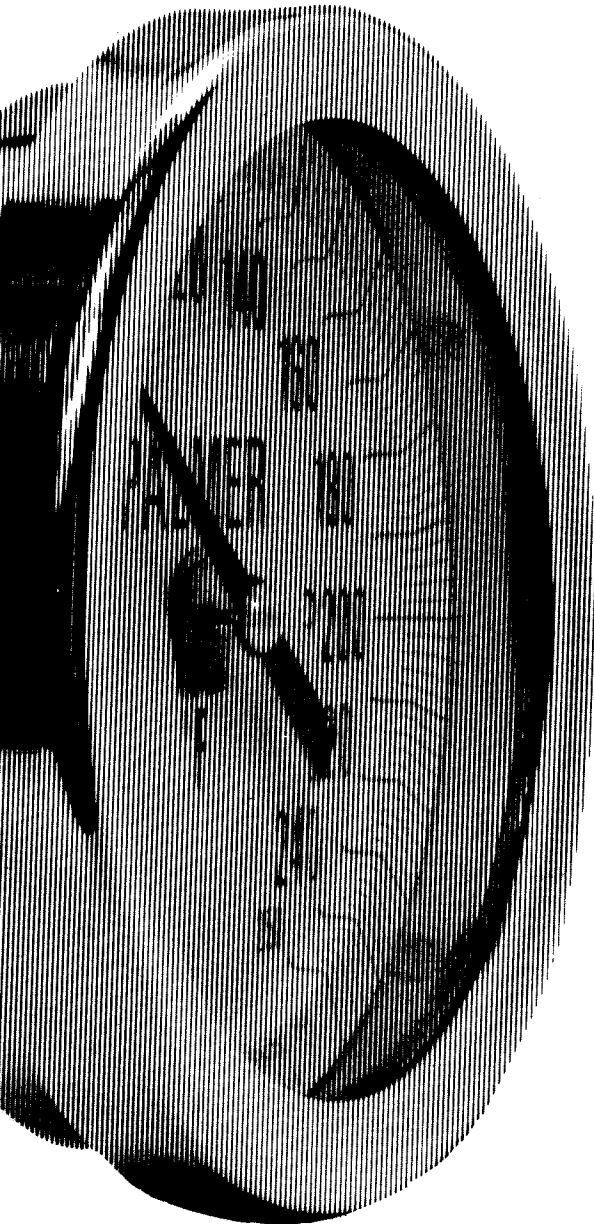
★ FOG-FREE WINDOW of extra-strong glass is securely held in place by quick-lock, cam-action bezel ring. Heavy, heat resistant gasket seals out moisture, prevents icing and freeze-up of helix.

★ SIMPLE, CONVENIENT RECALIBRATION is accomplished with external adjustment device. This feature also permits setting for zero calibration error at any desired temperature within range of the thermometer.

★ ACCURACY IS WITHIN 1% of full scale on all PALMER BI-METAL THERMOMETERS.

★ For applications involving HIGH PRESSURE OR CORROSIVE MEDIA, we recommend the use of Palmer WELLS. Wells also permit installation and removal of the thermometer without process interruptions. Refer to PALMER THERMOWELLS CATALOG 1100 which shows the standard designs and specifications that we manufacture.

★ ACCURACY IS NOT AFFECTED by ambient temperature changes at the case.

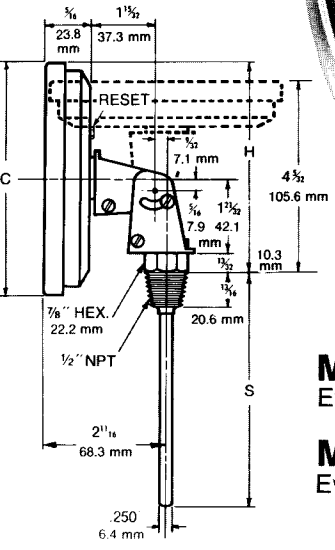
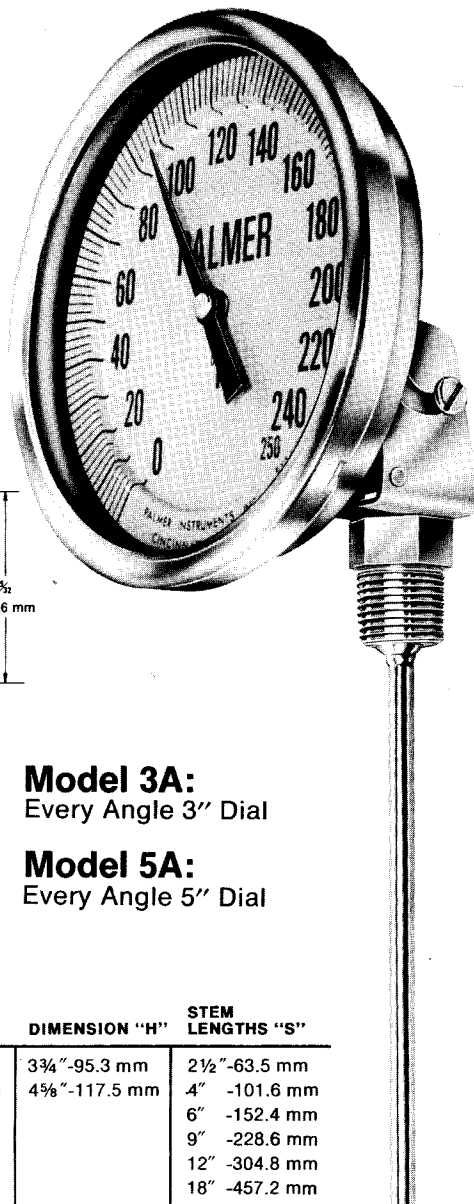


HOW TO ORDER PALMER THERMOMETERS

SPECIFY:

- Quantity
- Model Number
- Range
- Stem Length

Specify Model 3BC or 5BC for back connected installation. For other installations, including bottom connected, specify Model 3A or 5A.



Model 3A:
Every Angle 3" Dial

Model 5A:
Every Angle 5" Dial

MODEL NUMBER	CASE DIAMETER "C"	DIMENSION "H"	STEM LENGTHS "S"
3A	3 3/8"-85.7 mm	3 3/4"-95.3 mm	2 1/2"-63.5 mm
5A	5 1/8"-130.1 mm	4 3/4"-117.5 mm	4" -101.6 mm 6" -152.4 mm 9" -228.6 mm 12" -304.8 mm 18" -457.2 mm 24" -609.6 mm

STANDARD STEM LENGTHS

2 1/2", 4", 6", 9", 12", 18", 24"

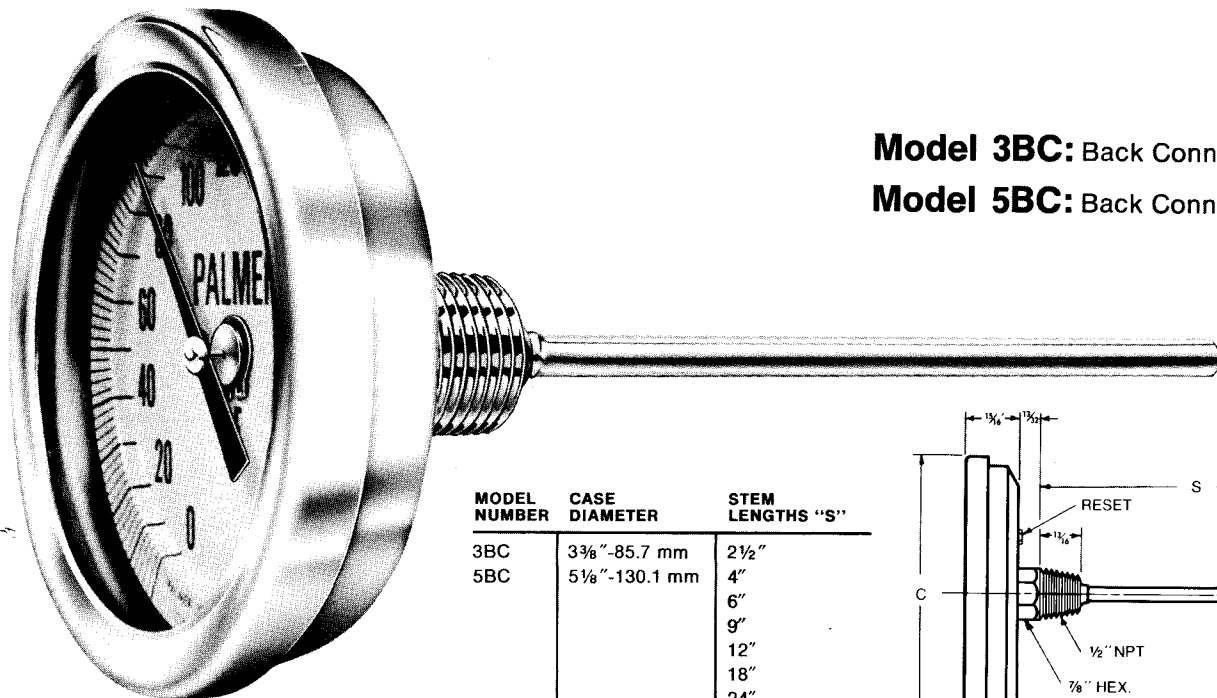
Stem Length up to 72" available, over 30" has 3/8" support tubing.

STANDARD RANGES

Range	°/Div.	Range	°/Div.
Fahrenheit		Centigrade	
-100 to 100	2°	-50 to 50	1°
-40 to 120	2°	-50 to 100	1°
0 to 200	2°	-20 to 120	1°
0 to 250	2°	*0 to 50	1/2°
*25 to 125	1°	0 to 100	1°
50 to 300	2°	0 to 150	1°
50 to 400	5°	0 to 200	2°
50 to 500	5°	0 to 300	5°
*150 to 750	5°	*100 to 400	5°
*†200 to 1000	10°	*†100 to 500	5°

* Minimum Stem Length for these Ranges is 4".

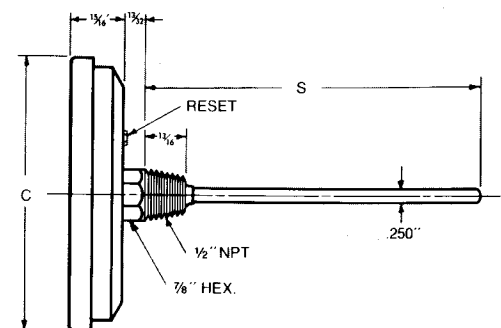
† Recommended for continuous service up to 800°F. or 427°C. Can be used for intermittent service up to 1000°F. or 500°C.



Model 3BC: Back Connected, 3" Dial

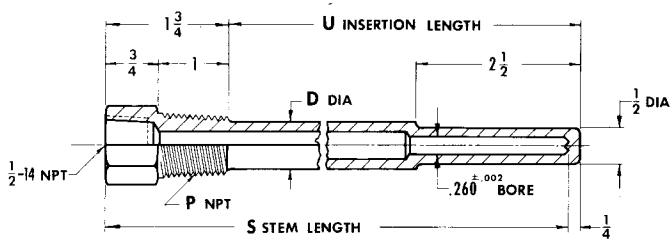
Model 5BC: Back Connected, 5" Dial

MODEL NUMBER	CASE DIAMETER	STEM LENGTHS "S"
3BC	3 3/8"-85.7 mm	2 1/2"
5BC	5 1/8"-130.1 mm	4" 6" 9" 12" 18" 24"



112 THERMOWELLS

REGULAR: SERIES 1120

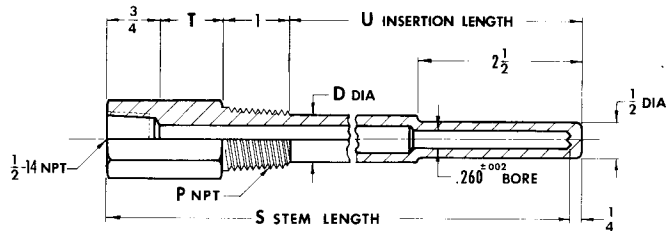


"S" STEM LENGTH	"U" INSERTION LENGTH	"P" EXTERNAL NPT THREAD SIZE		
		1/2" - 14	3/4" - 14	1" - 11 1/2
4"	2 1/2"	1120-104	1120-204	1120-304
6"	4 1/2"	1120-106	1120-206	1120-306
9"	7 1/2"	1120-109	1120-209	1120-309
12"	10 1/2"	1120-112	1120-212	1120-312
15"	13 1/2"	1120-115	1120-215	1120-315
18"	16 1/2"	1120-118	1120-218	1120-318
24"	22 1/2"	1120-124	1120-224	1120-324

"D" DIA 3/8" 3/4" 3/4"

FOR PRESSURE RATINGS SEE PAGE II CHART I

LAGGING EXTENSION: SERIES 1121

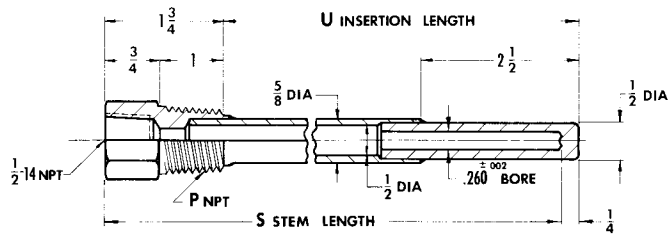


"S" STEM LENGTH	"U" INSERTION LENGTH	"T" LAGGING EXTENSION	"P" EXTERNAL NPT THREAD SIZE		
			1/2" - 14	3/4" - 14	1" - 11 1/2
6"	2 1/2"	2"	1121-106	1121-206	1121-306
9"	4 1/2"	3"	1121-109	1121-209	1121-309
12"	7 1/2"	3"	1121-112	1121-212	1121-312
15"	10 1/2"	3"	1121-115	1121-215	1121-315
18"	13 1/2"	3"	1121-118	1121-218	1121-318
24"	19 1/2"	3"	1121-124	1121-224	1121-324

"D" 3/8" 3/4" 3/4"

FOR PRESSURE RATINGS SEE PAGE II CHART I

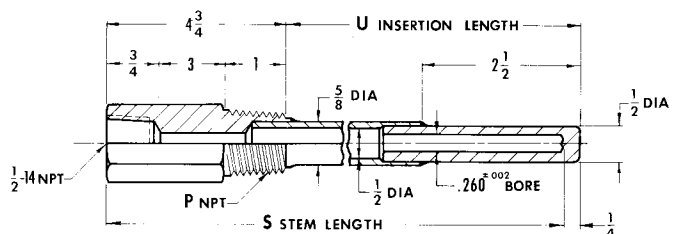
BUILT-UP REGULAR: SERIES 1124



"S" STEM LENGTH	"U" INSERTION LENGTH	"P" EXTERNAL NPT THREAD SIZE	
		3/4" - 14	1" - 11 1/2
15"	13 1/2"	1124-215	1124-315
18"	16 1/2"	1124-218	1124-318
24"	22 1/2"	1124-224	1124-324
30"	28 1/2"	1124-230	1124-330
36"	34 1/2"	1124-236	1124-336
42"	40 1/2"	1124-242	1124-342
48"	46 1/2"	1124-248	1124-348

FOR PRESSURE RATINGS SEE PAGE II CHART 2

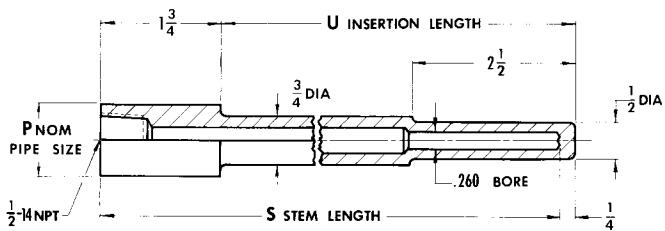
BUILT-UP LAGGING EXTENSION: SERIES 1125



"S" STEM LENGTH	"U" INSERTION LENGTH	"P" EXTERNAL NPT THREAD SIZE	
		3/4" - 14	1" - 11 1/2
15"	10 1/2"	1125-215	1125-315
18"	13 1/2"	1125-218	1125-318
24"	19 1/2"	1125-224	1125-324
30"	25 1/2"	1125-230	1125-330
36"	31 1/2"	1125-236	1125-336
42"	37 1/2"	1125-242	1125-342
48"	43 1/2"	1125-248	1125-348

FOR PRESSURE RATINGS SEE PAGE II CHART 2

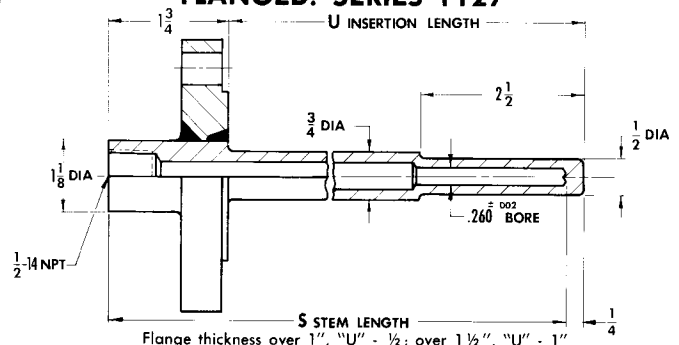
WELDING: SERIES 1126



"S" STEM LENGTH	"U" INSERTION LENGTH	"P" NOMINAL PIPE SIZE	
		3/4" - 1.050	1" - 1.315
4"	2 1/2"	1126-204	1126-304
6"	4 1/2"	1126-206	1126-306
9"	7 1/2"	1126-209	1126-309
12"	10 1/2"	1126-212	1126-312
15"	13 1/2"	1126-215	1126-315
18"	16 1/2"	1126-218	1126-318
24"	22 1/2"	1126-224	1126-324

FOR PRESSURE RATINGS SEE PAGE II CHART I

FLANGED: SERIES 1127



"S" STEM LENGTH	"U" INSERTION LENGTH	TYPE NO.
4"	2 1/2"	1127-004
6"	4 1/2"	1127-006
9"	7 1/2"	1127-009
12"	10 1/2"	1127-012
15"	13 1/2"	1127-015
18"	16 1/2"	1127-018
24"	22 1/2"	1127-024

FOR PRESSURE RATINGS SEE PAGE II CHART I