



# McDANIEL

## Process Gauges

### When Durability Matters . . .

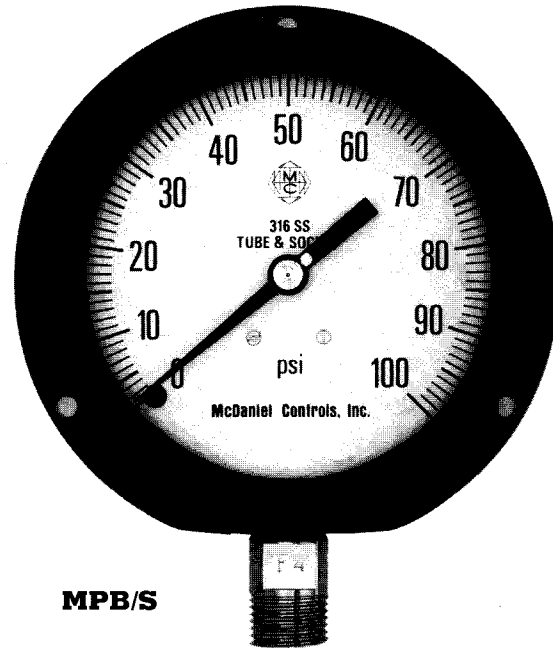
McDaniel designed the model **MPB/S** to meet and exceed the rigorous and harsh requirements of the process, petrochemical, and power industry.

With safety also a major consideration, McDaniel developed the MPB/S with a **solid front and hinged blow-out back**. The case is turret-style. Featuring a 4 mm thick **laminated safety glass lens** which also resists scratching and sunlight damage.

The **elastomer compensating diaphragm** on the inside of the hinged blow-out back equalizes case pressure. It insures a quality seal against fill fluid leakage and corrosive atmospheric intrusions, while maintaining gauge accuracy.

Designed to withstand 300% full-scale pressure without bourdon tube rupture; and 130% full scale pressure without loss of accuracy!

Watertight, fillable, and trusted McDaniel heavy-duty construction make the MPB/S your first and "**lasting**" choice when it comes to process gauges.



## SPECIFICATIONS

### **Accuracy:**

0.5% full scale to ASME B40.1 standard (Grade 2A)

### **Dial:**

Aluminum alloy, black figures, white background.

### **Case:**

Molded fiberglass reinforced thermoplastic.  
(Fire retardant and impact resistant)

### **Pointer:**

Aluminum alloy, painted black. Micrometer adjustable.

### **Lens:**

Laminated safety glass (4mm thick).

### **Lens Ring:**

Molded fiberglass reinforced thermoplastic.

### **Movement**

Precision stainless steel.

### **Bourdon Tube:**

316 Stainless steel (C Form 600 PSI & Below).  
(Spiral 800 PSI & Above).

### **Liquid Fillable:**

Glycerin (GF), Silicone (SF), Flourolube (FF)

### **Blow-out Back:**

Molded fiberglass reinforced thermolastic.  
Hinged for safety (will not become a projectile).

### **Compensating Diaphragm:**

Unique **elastomer** with integral "O" ring seal.  
(Field ready for filling, airtight, weatherproof. No fill kit required.)

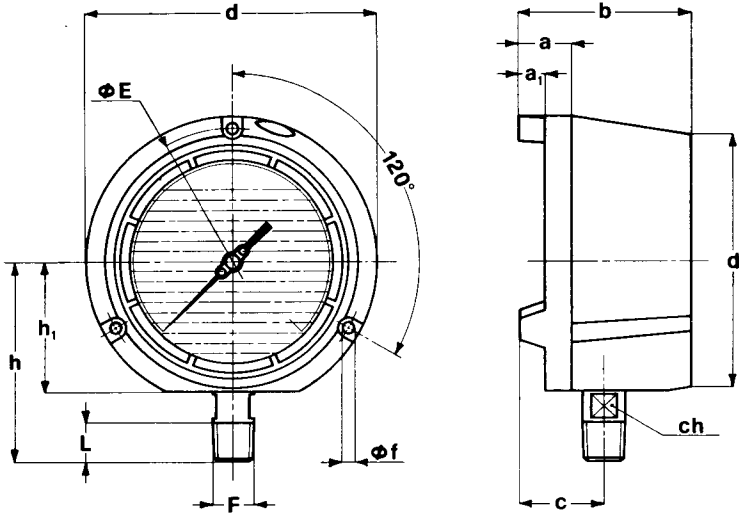
### **Stem and Socket:**

316 Stainless steel (5/8" wrench flats)  
Bottom connection (1/4", 1/2" NPT or Metric)  
High quality "**rolled**" threads (Helps to prevent galling).

## McDaniel Controls, Inc.

P. O. Box 187, Luling, LA 70070 • Highway 90 West, Paradis, LA 70080 U.S.A.  
(504) 758-2782 • New Orleans (504) 467-1333 • Fax (504) 758-1688

# DIMENSIONAL DATA



Size		a	a1	b	c	ch
130	mm	27	12	74	37	15.9
4 1/2	in.	1	.47	2.91	1.46	.625

d	d1	F	f	h	h1	L
148	129	21	5.6	102	65	19
5.8	5.08	.83	.22	4.02	2.56	.75

**Weight Dry - 1.56 lbs.**

**Weight Filled - 2.78 lbs.**

*McDaniel also makes gauges in other materials; in sizes and ranges to fit a wide variety of applications, and in many special configurations.*

*Ask your representative about McDaniel gauges with brass or Monel® internals, all brass or all stainless steel gauges, test gauges, or other requirements.*

© Monel is a registered trademark of INCO family of companies.

Range code	Range psi
6	0 - 6
10	0 - 10
A	0 - 15
B	0 - 30
C	0 - 60
D	0 - 100
E	0 - 160
F	0 - 200
G	0 - 300
H	0 - 400
I	0 - 600
J	0 - 800
K	0 - 1000
L	0 - 1500
M	0 - 2000
N	0 - 3000
O	0 - 5000
6k	0 - 6000
P	0 - 10000
Q	0 - 15000
R	0 - 20000
S	VAC 30"Hg - 0
T	REC 3 - 15
U	30"Hg + 15
V	30"Hg + 30
W	30"Hg + 60
X	30"Hg + 100
Y	30"Hg + 160
2k	30"Hg + 200
Z	30"Hg + 300

## HOW TO ORDER

- 1 - Select the model number (MPB/S)
- 2 - Specify connection code ("A" = 1/4" NPT) ("C" = 1/2" NPT)
- 3 - Specify range code from list at left.
- 4 - Specify mounting code (\*Not applicable on model MPB/S, bottom mount only available)
- 5 - Specify special configurations or options.
- 6 - Add choice of filling, if appropriate. (GF = Glycerin Filled) (SF = Silicone Filled) (FF = Flourtube Filled)

### Model #

(Example: MPB/SAE-GF - "MPB/S" = Model - "A" = (1/4" NPT) - "E" = (0-160psi) - "GF" = (Glycerin Filled)  
 MPB/SC6 - "MPB/S" = Model - "C" = (1/2" NPT) - "6" = (0-6psi) - (Dry, not Filled)

## OPTIONS:

**Liquid Filled - Monel® Internals - Plastic Lens - SS Tags - Diaphragm Seals**

### Warranty

McDaniel warrants our pressure gauges to be free of defects in material and workmanship: Replacement of any defective gauge will be made at no cost to the purchaser. Gauge failures determined to be caused by abuse, over-range and incompatibility with environment or process media will not be considered under this warranty.

### Repair

We will repair any McDaniel gauge for a cost of \$15.00 on 4" and larger sizes; \$7.50 on 2 1/2" and smaller. Damaged sockets or bourdon tubes cannot be repaired. Prices are F.O.B. Paradis, Louisiana. U.S.A.

## DISTRIBUTED BY:

It is recommended that users of pressure gauges become familiar with American National Standard ASME B40.1, entitled Gauges, Pressure and Vacuum - Indicating Dial Type - Elastic Element. This specification is available from:

American Society of Mechanical Engineers,  
 United Engineering Center  
 345 East 47th Street  
 New York, New York 10077